

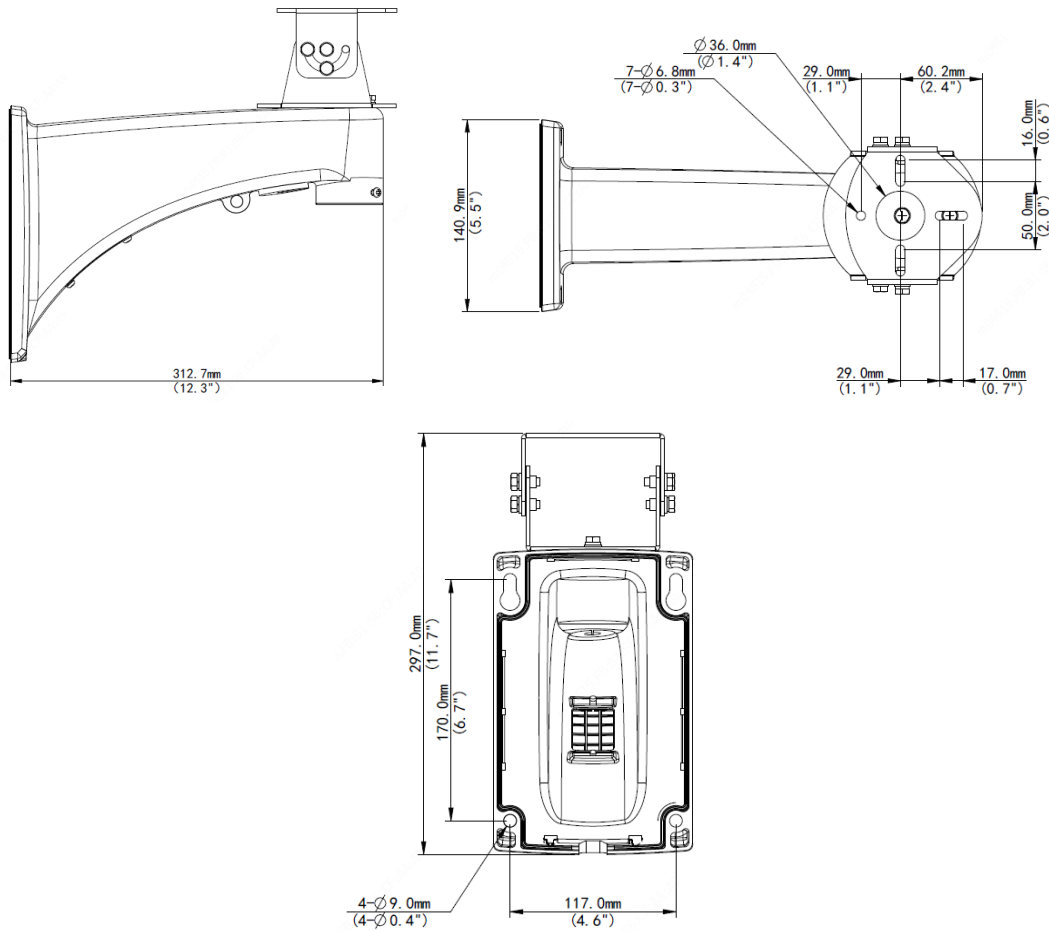
TR-WE45-E-IN Wall Mount Bracket



Specifications

Bracket	TR-WE45-E-IN
Application Environment	Indoor/Outdoor
Dimensions(L x W x H)	312.7mmx140.9mmx297.0mm(12.3" x 5.5"x 11.7")
Weight	1.4kg(3.1lb)
Material	Aluminum alloy
Adjustable Range	Vertical: -45° ~ 60°
Application Range	Omniview Network Camera+PTZ dome

Dimensions



Ordering Information

Bracket	Remarks
TR-WE45-E-IN	Wall Mount Bracket

Zhejiang Uniview Technologies Co.,Ltd.

South Tower, Building 10, Wanlun Science Park, 88 Jiangling Road, Hangzhou, P.R.China 310051

Email: overseasbusiness@uniview.com; globalsupport@uniview.com

<http://www.uniview.com>

©2020 Zhejiang Uniview Technologies Co.,Ltd. All rights reserved.

*Product specifications and availability are subject to change without notice.